

## WISHBONE SITE FURNISHINGS

210-27090 GLOUCESTER WAY LANGLEY, BC

**DWG. TITLE:** CITY SCAPE WASTE RECEPTACLE ALL METAL

**REVISION:** 10/02/21 R:00

**MATERIAL:**  
ALUMINUM

**DWG. NO.**  
DWSBPT10022100

**DRAWN BY:**  
GARY PARMAR

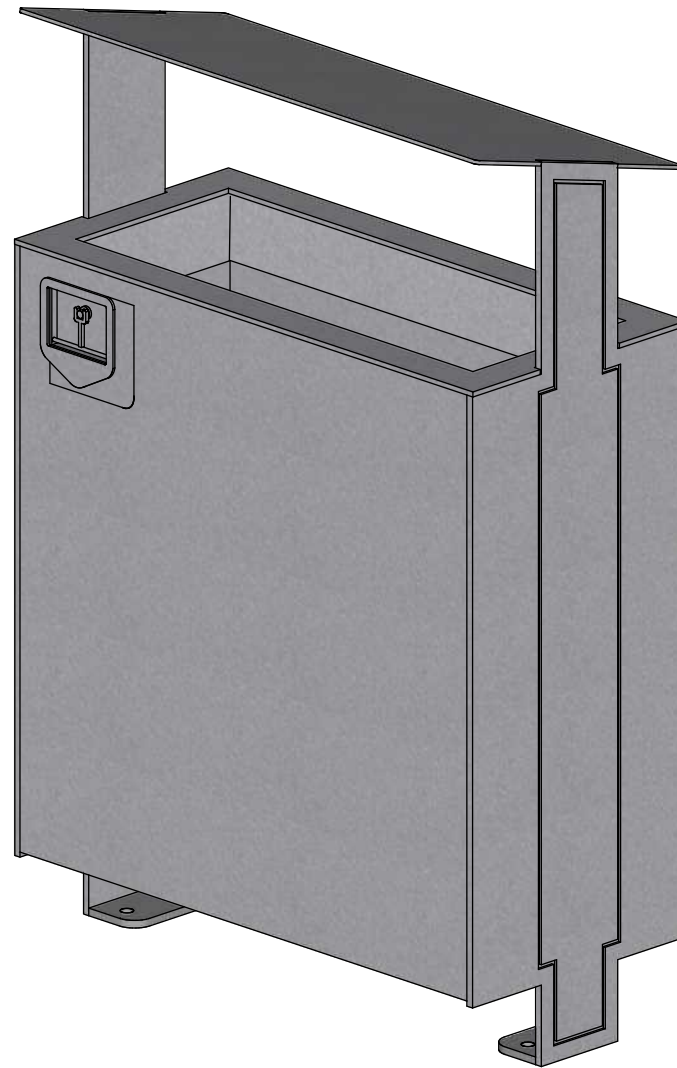
**PATTERN NO.**  
N/A


**MODEL NO.**  
CSTR-35

**SCALE:**  
1:16

**SHEET:**  
1 OF 2

**DATE:**  
10 FEB 21



	<b>WISHBONE SITE FURNISHINGS</b> 210-27090 GLOUCESTER WAY LANGLEY, BC			
	<b>DWG. TITLE:</b> CITY SCAPE WASTE RECEPTACLE ALL METAL <b>REVISION:</b> 10/02/21 R:00			
<b>MATERIAL:</b> ALUMINUM	<b>DWG. NO.</b> DWSBPT10022100	<b>DRAWN BY:</b> GARY PARMAR		
<b>PATTERN NO.</b> N/A	<b>MODEL NO.</b> CSTR-35	<b>SCALE:</b> AS SHOWN	<b>SHEET:</b> 2 OF 2	<b>DATE:</b> 10 FEB 21